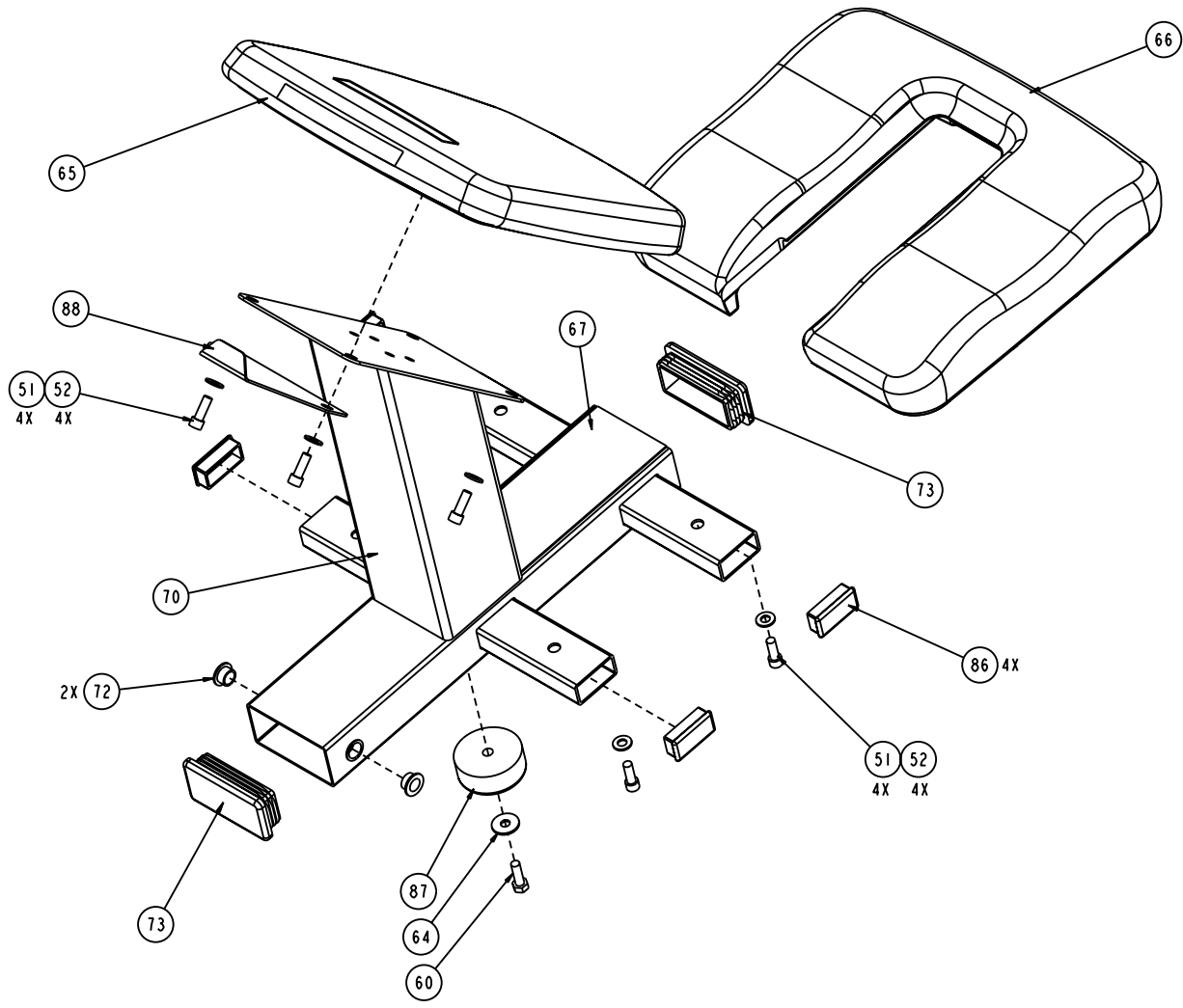


C240 STRETCH TRAINER	P/N: 38873-106	REV: N
DRAWN BY: M.HAMILTON	DATE: 08.19.05	SHEET 1 OF 2



C240 STRETCH TRAINER	P/N: 38873-106	REV: N
DRAWN BY: M.HAMILTON	DATE: 08.19.05	SHEET 2 OF 2

C240 (version 3)(serial code XM)

Part Number	Description	Bubble Number
44918-104	PLACARD, HANDLEBAR, C240 VER 3	50
CARN031-100	SCREW,SKHD,5/16-18X1.00,SIL ZN	51
WBRN031-007	WASHER, 5/16 X .688 X .065, SIL ZN	52
WALRN031-008	WASHER, 5/16 SPLIT LOCK, ZINC	53
44920-102	STRAP, WRIST, 240, SPACE BLUE	55
44926-103	ASSY, HANDLEBAR, BLACK (TAIWAN)	56
44910-104	FRAME TUBE, RIGHT, TITANIUM, PT	57
44910-103	FRAME TUBE, LEFT, TITANIUM, PT	58
EKKN025-025	SCREW,SET,1/4-20X1/4,KNRLDCUP,	59
HCRN031-100	SCREW,HEX,GR5,5/16-18X1,SIL ZN	60
37535-101	FOOT, FIXED	61
PKCN019-050	SCREW,S/T,#10X1/2,WSHHXHD,ZN	62
WNRN034-008	WASHER, 5/16 X 1.00 X .080, SIL ZN	64
37687-204	SEAT,VINYL,C240	65
44919-103	KNEE PAD, C240 (TAIWAN)	66
WACN032-006	WASHER, FLAT, 5/16 X .63 X .060	68
CARN031-500	SCREW,SKHD,5/16-18X5.0,SIL ZN,LK	69
44908-102	WELDMENT,SEAT SUPPORT,BLACK,PT	70
44923-101	BUSHING, (MM) 19.45OD,12.8ID,18L	72
44922-101	ENDCAP, 50MMX100MM	73
KARN063-026	LOCKNUT, HALF 5/16-18, SIL ZINC	77
44917-101	BRACKET, ALIGNMENT, TUBE	78
AEHN050-004	E-RING,.50 DIA X .42 THICK	80
38005-101	PEDAL	81
44914-101	SHAFT, PIVOT	82
44924-102	ASSY, SEAT BRACKET,TITANIUM (TAIWAN)	83
CARN031-125	SCREW,SKHD,5/16-18X1.25,SIL ZN	84
44916-101	FOOT, ADJUSTABLE, C240 (TAIWAN)	85
41177-101	ENDCAP,25MMX50MM	86
43533-101	BUMPER	87
44912-101	SEAT BUMPER BRACKET,PT,GREY	88
10186-102	WRENCH, ALLEN, 1/4	200
10186-104	WRENCH, ALLEN, 5/16	201
44913-101	KIT, HARDWARE, C240 (TAIWAN)	202
44915-101	BAG, PLASTIC PARTS, C240 (TAIWAN)	204
38866-110	KIT, LITERATURE, 240	999